

In-line Pump

Installation/Operating Manual Omega SL



Legal information/Copyright

Original operating manual Omega SL

All rights reserved. The contents provided herein must neither be distributed, copied, reproduced, edited or processed for any other purpose, nor otherwise transmitted, published or made available to a third party without the manufacturer's express written consent.

Subject to technical modification without prior notice.

© Duijvelaar Pompen, Alphen aan den Rijn, Nederland 27/09/2016

Contents

	Glossary	6
1	General.....	7
	1.1 Principles	7
	1.2 Installation of partly completed machinery.....	7
	1.3 Target group	7
	1.4 Other applicable documents	7
	1.5 Symbols.....	8
2	Safety	9
	2.1 Key to safety symbols/markings	9
	2.2 General.....	9
	2.3 Intended use	9
	2.4 Personnel qualification and training.....	10
	2.5 Consequences and risks caused by non-compliance with this manual.....	10
	2.6 Safety awareness	11
	2.7 Safety information for the operator/user	11
	2.8 Safety information for maintenance, inspection and installation.....	11
	2.9 Unauthorised modes of operation.....	11
	2.10 Electromagnetic compatibility	12
3	Transport/Temporary Storage/Disposal	13
	3.1 Checking the condition upon delivery	13
	3.2 Transport	13
	3.3 Storage/preservation	13
	3.4 Return to supplier	14
	3.5 Disposal.....	14
4	Description of the Pump (Set)	16
	4.1 General description.....	16
	4.2 Product Information as per Regulation No. 547/2012 (for water pumps with a maximum shaft power of 150 kW) implementing "Ecodesign" Directive 2009/125/EC.....	16
	4.3 Designation.....	16
	4.4 Name plate	17
	4.5 Design details	17
	4.6 Configuration and function.....	19
	4.7 Noise characteristics.....	19
	4.8 Scope of supply	20
	4.9 Dimensions and weight.....	20
5	Installation at Site	21
	5.1 Safety regulations	21
	5.2 Checks to be carried out prior to installation.....	21
	5.3 Installing the pump set.....	22
	5.4 Piping.....	22
	5.4.1 Connecting the piping	22
	5.4.2 Permissible forces and moments at the pump nozzles	23
	5.4.3 Vacuum balance line	23
	5.4.4 Auxiliary connections	24
	5.5 Enclosure/insulation.....	24



5.6	Electrical connection.....	25
5.6.1	Motor connection inside the terminal box.....	25
6	Commissioning/Start-up/Shutdown	27
6.1	Commissioning/Start-up/Shutdown	27
6.1.1	Prerequisites for commissioning/start-up.....	27
6.1.2	Checking earth conductor connection.....	27
6.1.3	Checking insulation resistance.....	27
6.1.4	Filling in lubricants.....	28
6.1.5	Priming and venting the pump	28
6.1.6	Checking the direction of rotation.....	29
6.1.7	Start-up	29
6.1.8	Checking the shaft seal.....	30
6.1.9	Shutdown	30
6.2	Operating limits.....	31
6.2.1	Ambient temperature.....	31
6.2.2	Frequency of starts	31
6.2.3	Fluid handled.....	32
6.2.4	Voltages and frequencies.....	33
6.2.5	Maximum permissible speed.....	33
6.2.6	Altitude	33
6.3	Shutdown/storage/preservation	33
6.3.1	Measures to be taken for shutdown.....	33
6.4	Returning to service.....	34
7	Servicing/Maintenance	35
7.1	Safety regulations.....	35
7.2	Servicing/inspection.....	36
7.2.1	Supervision of operation	36
7.2.2	Inspection work	38
7.2.3	Lubrication and lubricant change	38
7.3	Drainage/cleaning.....	39
7.4	Dismantling the pump set	39
7.4.1	General information/Safety regulations.....	39
7.4.2	Preparing the pump set.....	40
7.4.3	Dismantling the complete pump set.....	40
7.4.4	Removing the back pull-out unit.....	41
7.4.5	Removing the impeller	41
7.4.6	Removing the mechanical seal	41
7.5	Reassembling the pump set.....	41
7.5.1	General information/Safety regulations.....	41
7.5.2	Fitting the mechanical seal.....	42
7.5.3	Fitting the impeller.....	43
7.5.4	Installing the back pull-out unit.....	43
7.6	Tightening torques.....	43
7.7	Spare parts stock.....	44
7.7.1	Ordering spare parts	44
7.7.2	Recommended spare parts stock for 2 years' operation to DIN 24296.....	44
8	Trouble-shooting.....	45
9	Related Documents	47
9.1	Typical installation positions	47
9.2	General drawing with list of components.....	49

10	EU Declaration of Conformity	51
11	EU Declaration of Conformity	52
12	EU Declaration of Conformity	53
13	Certificate of Decontamination	54
	Index.....	55



Glossary

Back pull-out unit

Pump without pump casing; partly completed machinery

Certificate of decontamination

A certificate of decontamination is enclosed by the customer when returning the product to the manufacturer to certify that the product has been properly drained to eliminate any environmental and health hazards arising from components in contact with the fluid handled.

Close-coupled design

Motor directly fitted to the pump via a flange or a drive lantern

Discharge line

The pipeline which is connected to the discharge nozzle

Hydraulic system

The part of the pump in which the kinetic energy is converted into pressure energy

IE3

Efficiency class to IEC 60034-30: 3 = Premium Efficiency (IE = International Efficiency)

In-line design

A pump whose suction and discharge nozzle are arranged opposite each other and have the same nominal diameter.

Noise characteristics

The noise emission to be expected, indicated as sound pressure level LpA in dB(A)

Pump

Machine without drive, additional components or accessories

6 / 56

Pump set

Complete pump set consisting of pump, drive, additional components and accessories

Suction lift line/suction head line

The pipeline which is connected to the suction nozzle

1 General

1.1 Principles

This operating manual is supplied as an integral part of the type series indicated on the front cover. The operating manual describes the proper and safe use of this equipment in all phases of operation.

The name plate indicates the type series, the main operating data and the material number/series code. The material number/series code uniquely describes the product and is used as identification in all further business processes.

In the event of damage, immediately contact your nearest DP service centre to maintain the right to claim under warranty.

Noise characteristics see [⇒ Section 4.7, Page 19]

1.2 Installation of partly completed machinery

To install partly completed machinery supplied by KSB refer to the sub-sections under Servicing/Maintenance.

1.3 Target group

This operating manual is aimed at the target group of trained and qualified specialist technical personnel. [⇒ Section 2.4, Page 10]

1.4 Other applicable documents

Table 1: Overview of other applicable documents


Document	Contents
Data sheet	Description of the technical data of the pump (set)
General arrangement drawing/outline drawing	Description of mating dimensions and installation dimensions for the pump (set), weights
Drawing of auxiliary connections	Description of auxiliary connections
Hydraulic characteristic curve	Characteristic curves showing head, NPSH required, efficiency and power input
General assembly drawing ¹⁾	Sectional drawing of the pump
Sub-supplier product literature ¹⁾	Operating manuals and other product literature describing accessories and integrated machinery components
Spare parts lists ¹⁾	Description of spare parts
Piping layout ¹⁾	Description of auxiliary piping
List of components ¹⁾	Description of all pump components
Assembly drawing ¹⁾	Sectional drawing of the installed shaft seal

For accessories and/or integrated machinery components observe the relevant manufacturer's product literature.

¹⁾ If agreed to be included in the scope of supply

1.5 Symbols

Table 2: Symbols used in this manual

Symbol	Description
✓	Conditions which need to be fulfilled before proceeding with the step-by-step instructions
▷	Safety instructions
⇒	Result of an action
⇔	Cross-references
1. 2.	Step-by-step instructions
	Note Recommendations and important information on how to handle the product

2 Safety



DANGER

All the information contained in this section refers to hazardous situations.

2.1 Key to safety symbols/markings

Table 3: Definition of safety symbols/markings

Symbol	Description
DANGER	DANGER This signal word indicates a high-risk hazard which, if not avoided, will result in death or serious injury.
WARNING	WARNING This signal word indicates a medium-risk hazard which, if not avoided, could result in death or serious injury.
CAUTION	CAUTION This signal word indicates a hazard which, if not avoided, could result in damage to the machine and its functions.
General hazard	General hazard In conjunction with one of the signal words this symbol indicates a hazard which will or could result in death or serious injury.
Electrical hazard	Electrical hazard In conjunction with one of the signal words this symbol indicates a hazard involving electrical voltage and identifies information about protection against electrical voltage.
Machine damage	Machine damage In conjunction with the signal word CAUTION this symbol indicates a hazard for the machine and its functions.

2.2 General

This operating manual contains general installation, operating and maintenance instructions that must be observed to ensure safe pump operation and prevent personal injury and damage to property.

The safety information in all sections of this manual must be complied with.

The operating manual must be read and fully understood by the specialist personnel/operators responsible prior to installation and commissioning.

The contents of this operating manual must be available to the specialist personnel at the site at all times.

Instructions attached directly to the pump set must always be complied with and kept in a perfectly legible condition. This applies to, e.g.,:

- Arrow indicating the direction of rotation
- Markings for connections
- Name plate

The operator is responsible for ensuring compliance with all local regulations not taken into account in this operating manual.

The electric drive has been designed and constructed in accordance with the requirements of Directive 2014/35/EU ("Low-voltage Directive").

2.3 Intended use

- The product must not be used in potentially explosive atmospheres.

- The pump (set) must only be operated within the operating limits described in the other applicable documents.
- Only operate pumps/pump sets which are in perfect technical condition.
- Do not operate the pump (set) in partially assembled condition.
- Only use the pump to handle the fluids described in the data sheet or product literature of the pump model or variant.
- Never operate the pump without the fluid to be handled.
- Observe the minimum flow rates indicated in the data sheet or product literature (to prevent overheating, bearing damage, etc).
- Observe the maximum flow rates indicated in the data sheet or product literature (to prevent overheating, mechanical seal damage, cavitation damage, bearing damage, etc).
- Do not throttle the flow rate on the suction side of the pump (to prevent cavitation damage).
- Consult the manufacturer about any use or mode of operation not described in the data sheet or product literature.

Prevention of foreseeable misuse

- Never open the discharge-side shut-off elements further than permitted.
 - The maximum flow rates specified in the product literature or data sheet would be exceeded.
 - Risk of cavitation damage
- Never exceed the permissible operating limits specified in the data sheet or product literature regarding pressure, temperature, mains voltage, mains frequency, ambient temperature, motor rating, speed, etc.
- Observe all safety information and instructions in this manual.

2.4 Personnel qualification and training

All personnel involved must be fully qualified to transport, install, operate, maintain and inspect the machinery this manual refers to.

The responsibilities, competence and supervision of all personnel involved in transport, installation, operation, maintenance and inspection must be clearly defined by the operator.

Deficits in knowledge must be rectified by means of training and instruction provided by sufficiently trained specialist personnel. If required, the operator can commission the manufacturer/supplier to train the personnel.

Training on the pump (set) must always be supervised by technical specialist personnel.

2.5 Consequences and risks caused by non-compliance with this manual

- Non-compliance with this operating manual will lead to forfeiture of warranty cover and of any and all rights to claims for damages.
- Non-compliance can, for example, have the following consequences:
 - Hazards to persons due to electrical, thermal, mechanical and chemical effects and explosions
 - Failure of important product functions
 - Failure of prescribed maintenance and servicing practices
 - Hazard to the environment due to leakage of hazardous substances

2.6 Safety awareness

In addition to the safety information contained in this manual and the intended use, the following safety regulations shall be complied with:

- Accident prevention, health and safety regulations
- Explosion protection regulations
- Safety regulations for handling hazardous substances
- Applicable standards, directives and laws

2.7 Safety information for the operator/user

- The operator shall fit contact guards for hot, cold and moving parts and check that the guards function properly.
- Do not remove any contact guards during operation.
- Provide the personnel with protective equipment and make sure it is used.
- Contain leakages (e.g. at the shaft seal) of hazardous fluids handled (e.g. explosive, toxic, hot) so as to avoid any danger to persons and the environment. Adhere to all relevant laws.
- Eliminate all electrical hazards. (In this respect refer to the applicable national safety regulations and/or regulations issued by the local energy supply companies.)
- If shutting down the pump does not increase potential risk, fit an emergency-stop control device in the immediate vicinity of the pump (set) during pump set installation.

2.8 Safety information for maintenance, inspection and installation

- Modifications or alterations of the pump are only permitted with the manufacturer's prior consent.
- Use only original spare parts or parts authorised by the manufacturer. The use of other parts can invalidate any liability of the manufacturer for resulting damage.
- The operator ensures that maintenance, inspection and installation is performed by authorised, qualified specialist personnel who are thoroughly familiar with the manual.
- Only carry out work on the pump (set) during standstill of the pump.
- Any work on the pump set shall only be performed when it has been disconnected from the power supply (de-energised).
- The pump casing must have cooled down to ambient temperature.
- Pump pressure must have been released and the pump must have been drained.
- When taking the pump set out of service always adhere to the procedure described in the manual. [⇒ Section 6.1.9, Page 30] [⇒ Section 6.3, Page 33]
- Decontaminate pumps which handle fluids posing a health hazard. [⇒ Section 7.3, Page 39]
- As soon as the work has been completed, re-install and/or re-activate any safety-relevant and protective devices. Before returning the product to service, observe all instructions on commissioning.

2.9 Unauthorised modes of operation

Never operate the pump (set) outside the limits stated in the data sheet and in this manual.

The warranty relating to the operating reliability and safety of the supplied pump (set) is only valid if the equipment is used in accordance with its intended use.

2.10 Electromagnetic compatibility


When operating the motor on a frequency inverter always observe the frequency inverter manufacturer's information on compliance with the Electromagnetic Compatibility Directive. Take additional measures to ensure compliance with the Directive and obtain a connection approval from the local energy supply company, if necessary.

3 Transport/Temporary Storage/Disposal

3.1 Checking the condition upon delivery

1. On transfer of goods, check each packaging unit for damage.
2. In the event of in-transit damage, assess the exact damage, document it and notify DP or the supplying dealer (as applicable) and the insurer about the damage in writing immediately.

3.2 Transport



⚠ DANGER
The pump (set) could slip out of the suspension arrangement
Danger to life from falling parts!

- Always transport the pump (set) in the specified position.
- Never attach the suspension arrangement to the free shaft end or the motor eyebolt.
- Give due attention to the weight data and the centre of gravity.
- Observe the applicable local health and safety regulations.
- Use suitable, permitted lifting accessories, e.g. self-tightening lifting tongs.

To transport the pump/pump set suspend it from the lifting tackle as shown.

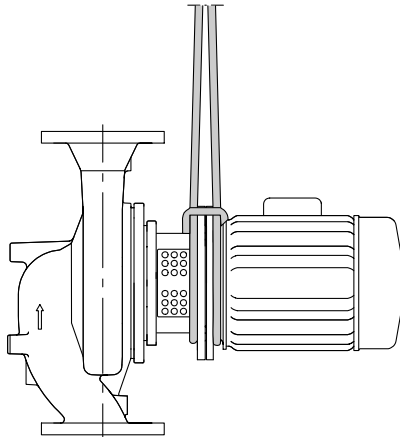



Fig. 1: Transporting the pump set

3.3 Storage/preservation



CAUTION
Damage during storage by humidity, dirt or vermin
Corrosion/contamination of the pump (set)!

- For short-term outdoor storage cover the pump (set) or the packaged pump (set) and accessories with waterproof material.



CAUTION

Wet, contaminated or damaged openings and connections

Leakage or damage to the pump!

- Clean and cover pump openings and connections as required prior to putting the pump into storage.

If commissioning is to take place some time after delivery, we recommend that the following measures be taken for pump (set) storage.

- Store the pump (set) in a dry, protected room where the atmospheric humidity is as constant as possible.
- Rotate the shaft by hand once a month, e.g. via the motor fan.
- Exposed locating surfaces (shaft ends, flange faces, centring spigots, connector contacts) are treated with a layer of temporary corrosion protection (< 6 months) for transport. Take suitable corrosion protection measures for extended storage periods.
- Replace closed rolling element bearings after 48 months of storage.

If properly stored indoors, the equipment is protected for a maximum of 12 months.

New pumps/pump sets are supplied by our factory duly prepared for storage.

For storing a pump (set) which has already been operated, observe the measures to be taken for shutdown. [⇒ Section 6.3.1, Page 33]

3.4 Return to supplier

1. Drain the pump as per operating instructions. [⇒ Section 7.3, Page 39]
2. Always flush and clean the pump, particularly if it has been used for handling noxious, explosive, hot or other hazardous fluids.
3. If the pump set has handled fluids whose residues could lead to corrosion damage in the presence of atmospheric humidity or could ignite upon contact with oxygen, the pump set must also be neutralised, and anhydrous inert gas must be blown through the pump to ensure drying.
4. Always complete and enclose a certificate of decontamination when returning the pump (set).
Always indicate any safety and decontamination measures taken.
[⇒ Section 13, Page 54]



NOTE

If required, a blank certificate of decontamination can be downloaded from the KSB web site at: www.ksb.com/certificate_of_decontamination

3.5 Disposal



WARNING

Fluids, consumables and supplies which are hot and/or pose a health hazard

Hazard to persons and the environment!

- Collect and properly dispose of flushing fluid and any residues of the fluid handled.
- Wear safety clothing and a protective mask, if required.
- Observe all legal regulations on the disposal of fluids posing a health hazard.

1. Dismantle the pump (set).
Collect greases and other lubricants during dismantling.

2. Separate and sort the pump materials, e.g. by:
 - Metals
 - Plastics
 - Electronic waste
 - Greases and other lubricants
3. Dispose of materials in accordance with local regulations or in another controlled manner.



4 Description of the Pump (Set)

4.1 General description

- Non-self-priming in-line pump with low-voltage asynchronous motor to IEC 60034

Pump for handling clean or aggressive fluids which are neither chemically nor mechanically aggressive to the pump materials.

4.2 Product Information as per Regulation No. 547/2012 (for water pumps with a maximum shaft power of 150 kW) implementing "Ecodesign" Directive 2009/125/EC

- Minimum efficiency index: see name plate, key to name plate
- The benchmark for the most efficient water pumps is $MEI \geq 0.70$.
- Year of construction: see name plate, key to name plate
- Manufacturer's name or trade mark, commercial registration number and place of manufacture: see data sheet or order documentation
- Product's type and size identifier: see name plate, key to name plate
- Hydraulic pump efficiency (%) with trimmed impeller: see data sheet
- Pump performance curves, including efficiency characteristics: see documented characteristic curve
- The efficiency of a pump with a trimmed impeller is usually lower than that of a pump with full impeller diameter. Trimming of the impeller will adapt the pump to a fixed duty point, leading to reduced energy consumption. The minimum efficiency index (MEI) is based on the full impeller diameter.
- Operation of this water pump with variable duty points may be more efficient and economic when controlled, for example, by the use of a variable speed drive that matches the pump duty to the system.
- Information on dismantling, recycling and disposal after decommissioning:
[⇒ Section 3.5, Page 14]
- Information on benchmark efficiency or benchmark efficiency graph for $MEI = 0.70$ (0.40) for the pump based on the model shown in the Figure are available at: <http://www.europump.org/efficiencycharts>

4.3 Designation

16 / 56

Example: OMSL032-032-100 GGWAV11D2

Table 4: Designation key

Code	Description
OMSL	Type series
	OMSL Omega SL
032	Nominal suction nozzle diameter [mm]
032	Nominal discharge nozzle diameter [mm]
100	Nominal impeller diameter [mm]
G	Casing material
	G Grey cast iron
	B Bronze

Code	Description	
G	Impeller material if different from casing material	
	G	Grey cast iron
	B	Bronze
	P	Polysulphone
W	Additional code	
	P	Model with casing cover made of polysulphone
	W	WRAS-approved for drinking water
	X	Special design
A	Casing cover	
	A	Conical seal chamber
V	Sealing system	
	V	Conical seal chamber with vent
11	Seal code	
	11	Mechanical seal material BQ1EGG
D	Scope of supply	
	D	Pump with motor
2	Shaft unit	
	2	SU 12
	4	SU 14
	6	SU 16

4.4 Name plate

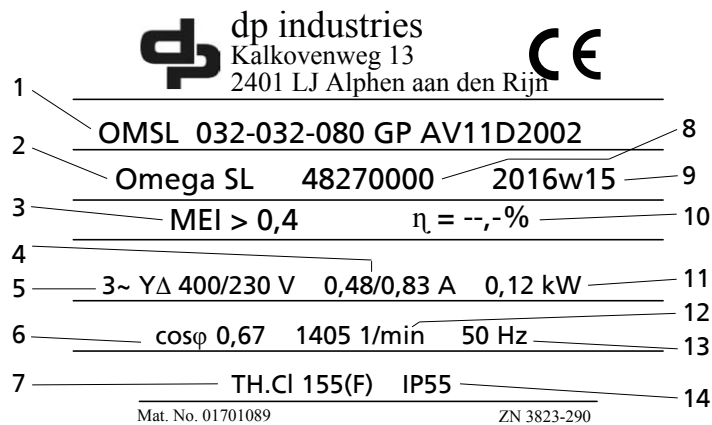


Fig. 2: Name plate (example)

1	Type series code, size and version	2	Type series
3	Order No., order item No. and consecutive No.	4	Flow rate
5	Kinematic viscosity of the fluid handled	6	Minimum efficiency index
7	Material number (if applicable)	8	Impeller diameter
9	Head	10	Speed
11	Year of construction	12	Efficiency (see data sheet)

4.5 Design details

Design

- Close-coupled design/in-line design
- Single-stage

-
- Horizontal/vertical installation
 - Rigid connection between pump and motor

Pump casing

- Radially split volute casing
- In-line design

Impeller type

- Closed radial impeller

Shaft seal

- KSB mechanical seal

Bearings

- Radial ball bearing in the motor housing
- Grease lubrication

Drive

- Surface-cooled squirrel-cage motor to KSB standard
- Efficiency class IE3 to IEC 60034-30 (≥ 0.75 kW)
- Winding 50 Hz, 1~220-240 V / 3~380-420 V ≤ 1.10 kW
- Winding 50 Hz, 3~380-420 V ≥ 1.80 kW
- Type of construction IM V1
- IP55 enclosure
- Mode of operation: continuous operation S1
- Thermal class F

Automation

Automation options:

- PumpDrive

4.6 Configuration and function

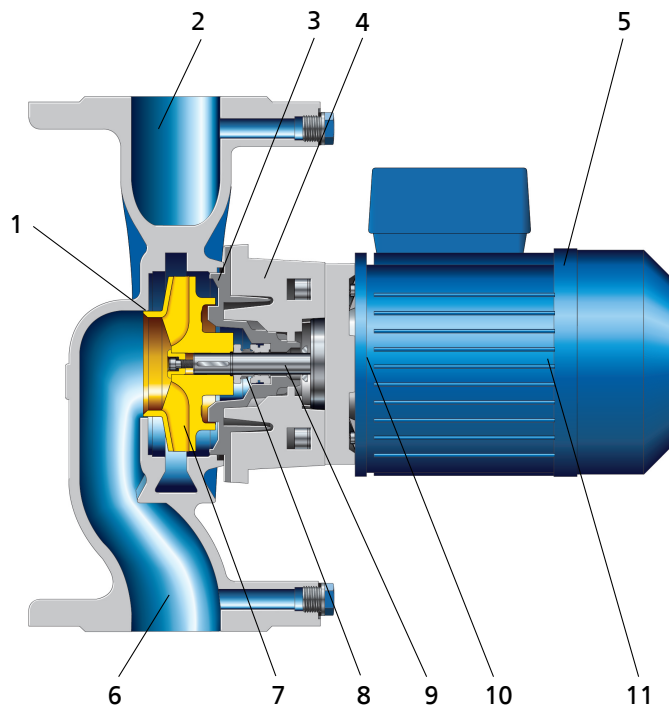


Fig. 3: Sectional drawing

1	Clearance gap	2	Discharge nozzle
3	Cap	4	Drive lantern
5	Motor housing	6	Suction nozzle
7	Impeller	8	Shaft seal
9	Shaft	10	Rolling element bearing
11	Rolling element bearing		

Design The pump is designed with a radial fluid inlet (suction nozzle) and a radial outlet (discharge nozzle) arranged on the same axis. The hydraulic system is rigidly connected to the motor via a shaft. The motor shaft is dynamically balanced.

Function The fluid enters the pump via the suction nozzle (6) and is accelerated outward by the rotating impeller (7). In the flow passage of the pump casing the kinetic energy of the fluid is converted into pressure energy. The fluid is pumped to the discharge nozzle (2), where it leaves the pump. The clearance gap (1) prevents any fluid from flowing back from the casing to the suction nozzle. At the rear side of the impeller, the shaft (9) enters the hydraulic system via a cap (3). The shaft passage through the cap is sealed to atmosphere with a shaft seal (8). The shaft runs in rolling element bearings (10 and 11), which are supported by a motor housing (5) linked with the pump casing and/or casing cover via the drive lantern (4).

Sealing The pump is sealed by a standardised mechanical seal.

4.7 Noise characteristics

Table 5: Surface sound pressure level $L_{pA}^{(2,3)}$

Rated power input P_N [kW]	Pump set	
	1450 rpm	2900 rpm
0,12	36	40
0,18	36	40
0,25	-	46
0,37	36	46
0,55	-	46

Rated power input P _N [kW]	Pump set	
	1450 rpm	2900 rpm
0,75	37	52
1,1	-	52
1,8	-	53
3	-	53

²⁾ Spatial average; as per ISO 3744 and EN 12639; valid for pump operation in the Q/Q_{opt} = 0.8 - 1.1 range and for non-cavitating operation. If noise levels are to be guaranteed: Add +3 dB for measuring and constructional tolerance.

³⁾ Increase for 60 Hz operation: 3500 rpm +3 dB; 1750 rpm +1 dB

4.8 Scope of supply

Depending on the model, the following items are included in the scope of supply:

- Pump set

or

- Motor incl. casing cover

Accessories


- Pump foot for vertical installation of the drive

4.9 Dimensions and weight

For dimensions and weights please refer to the type series booklet of the pump.

5 Installation at Site


5.1 Safety regulations



⚠ DANGER
Improper installation in potentially explosive atmospheres
 Damage to the pump set!
 ➤ Comply with the applicable local explosion protection regulations.
 ➤ Observe the information given in the data sheet and on the pump/motor name plates.

5.2 Checks to be carried out prior to installation


Foundation Check the structural requirements.
 All structural work required must have been prepared in accordance with the dimensions stated in the outline drawing/general arrangement drawing.



⚠ CAUTION
Ingress of leakage into the motor
 Damage to the pump!
 ➤ Never install the pump set with the "motor below".

Protective roof **Protective roof/additional roofing**
 For vertical installation with the motor on top, fit a protective roof or additional roofing to prevent foreign objects from falling into the fan hood.

Ventilation **Ventilation**



⚠ WARNING
Improper installation
 Drive overheated!
 ➤ Maintain the specified minimum distances to neighbouring assemblies.
 ➤ Never restrict the ventilation ducting to/from the drive.
 ➤ Prevent exhaust air from neighbouring assemblies from being drawn in directly.

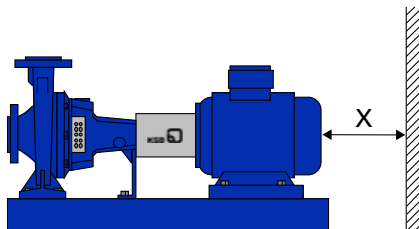


Fig. 4: Minimum distance X

Table 6: Minimum distance X to neighbouring assemblies

Motors with shaft centreline height [mm]	Minimum distance X [mm]
71 - 100	30

5.3 Installing the pump set



CAUTION

Ingress of leakage into the motor

Damage to the pump!

- Never install the pump set with the "motor below".

The pump set may be flanged directly into the piping.

1. Position the pump set on the foundation or in the piping and fasten it.
2. Place a spirit level on the discharge nozzle to align the pump set.

5.4 Piping

5.4.1 Connecting the piping



⚠ DANGER

Impermissible loads acting on the pump nozzles

Danger to life from leakage of hot, toxic, corrosive or flammable fluids!

- Do not use the pump as an anchorage point for the piping.
- Anchor the pipes in close proximity to the pump and connect them without transmitting any stresses or strains.
- Observe the permissible forces and moments at the pump nozzles.
[⇒ Section 5.4.2, Page 23]
- Take appropriate measures to compensate for thermal expansion of the piping.



CAUTION

Incorrect earthing during welding work at the piping

Destruction of rolling element bearings (pitting effect)!

- Never earth the electric welding equipment on the pump or baseplate.
- Prevent current flowing through the rolling element bearings.



NOTE

Installing check and shut-off elements in the system is recommended, depending on the type of plant and pump. However, such elements must not obstruct proper drainage or hinder disassembly of the pump.

- ✓ Suction lift lines have been laid with a rising slope, suction head lines with a downward slope towards the pump.
 - ✓ A flow stabilisation section having a length equivalent to at least twice the diameter of the suction flange has been provided upstream of the suction flange.
 - ✓ The nominal diameters of the pipelines are at least equal to the nominal diameters of the pump nozzles.
 - ✓ Adapters to larger diameters have a diffuser angle of approximately 8° to prevent excessive pressure losses.
 - ✓ The pipelines have been anchored in close proximity to the pump and connected without transmitting any stresses or strains.
1. Thoroughly clean, flush and blow through all vessels, pipelines and connections (especially of new installations).

2. Before installing the pump in the piping, remove the flange covers on the suction and discharge nozzles of the pump.
3. Check that the inside of the pump is free from any foreign objects. Remove any foreign objects.
4. If required, install a filter in the piping (see figure: Filter in the piping).

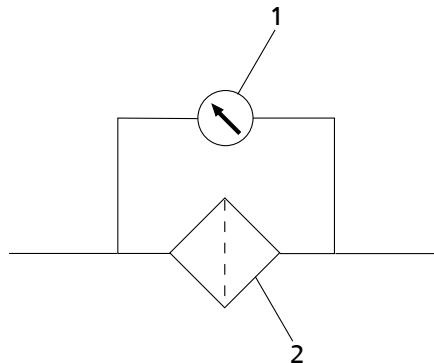


Fig. 5: Filter in the piping

1	Differential pressure gauge	2	Filter
---	-----------------------------	---	--------

5. Connect the pump nozzles to the piping.



CAUTION

Aggressive flushing and pickling agents

Damage to the pump!

- Match the cleaning operation mode and duration for flushing and pickling service to the casing and seal materials used.

5.4.2 Permissible forces and moments at the pump nozzles

No piping-induced forces and moments (from warped pipelines or thermal expansion, for example) must act on the pump.

5.4.3 Vacuum balance line



NOTE

Where fluid has to be pumped out of a vessel under vacuum, installing a vacuum balance line is recommended.

The following rules apply to vacuum balance lines:

- Minimum nominal line diameter 25 mm.
- The line extends above the highest permissible fluid level in the vessel.

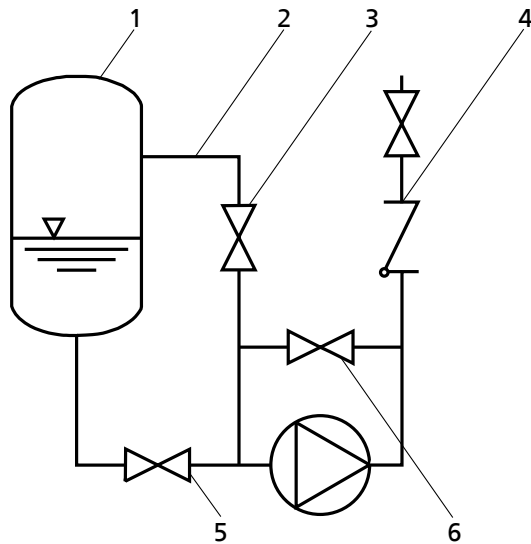


Fig. 6: Vacuum balance system

1	Vessel under vacuum	2	Vacuum balance line
3	Shut-off element	4	Swing check valve
5	Main shut-off element	6	Vacuum-tight shut-off element



NOTE

An additional line fitted with a shut-off valve (from the pump discharge nozzle to the balance line) facilitates venting of the pump before start-up.

5.4.4 Auxiliary connections



WARNING

Failure to use or incorrect use of auxiliary connections (e.g. barrier fluid, flushing liquid, etc.)

Risk of injury from escaping fluid!

Risk of burns!

Malfunction of the pump!

- Refer to the general arrangement drawing, the piping layout and pump markings (if any) for the quantity, dimensions and locations of auxiliary connections.
- Use the auxiliary connections provided.

5.5 Enclosure/insulation



WARNING

The volute casing and casing/discharge cover take on the same temperature as the fluid handled

Risk of burns!

- Insulate the volute casing.
- Fit protective equipment.



CAUTION

Risk of potentially explosive atmosphere due to insufficient ventilation

Explosion hazard!

- Make sure the space between the casing cover/discharge cover and the bearing cover is sufficiently vented.



CAUTION

Heat build-up in the bearing bracket

Damage to the bearing!

- Never insulate the bearing bracket, bearing bracket lantern and casing cover.

5.6 Electrical connection



⚠ DANGER

Hazardous voltage

Danger of death from electric shock!

- Have all work performed only by qualified specialist personnel and only when the drive is at a standstill and secured against unintentional start-up. This also applies to auxiliary circuits (e.g. standstill heater).
- The drive must not be electrically connected at any point in time when work is performed on the open terminal box.



⚠ WARNING

Incorrect connection to the mains

Damage to the mains network, short circuit!

- Observe the technical specifications of the local energy supply companies.



NOTE

Always protect three-phase motors with a current-dependent overload protection device with additional phase failure protection.

Select the motor connection cables in accordance with IEC 60364, taking into account the current load of the cable at the given ambient temperature and the requisite heat dissipation to IEC / EN 60204-1 as a result of cable routing.

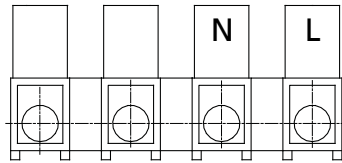
5.6.1 Motor connection inside the terminal box

Observe the following when performing any work on the terminal box:

- Always use the original sealing element to close the terminal box so that it is dust- and watertight.
- Do not damage components on the inside of the terminal box (e.g. terminal board and cable connections).
- Ensure that no foreign bodies, contamination or moisture are present in the terminal box. Terminal box cable entries to DIN 42925.
- Close additional open cable entries, fitting O-rings or suitable gaskets.
- Observe prescribed tightening torques for cable glands and other screws/bolts.
- When retrofitting cable glands to safeguard the required level of enclosure protection, ensure that the gasket is seated properly on the outside of the terminal box.

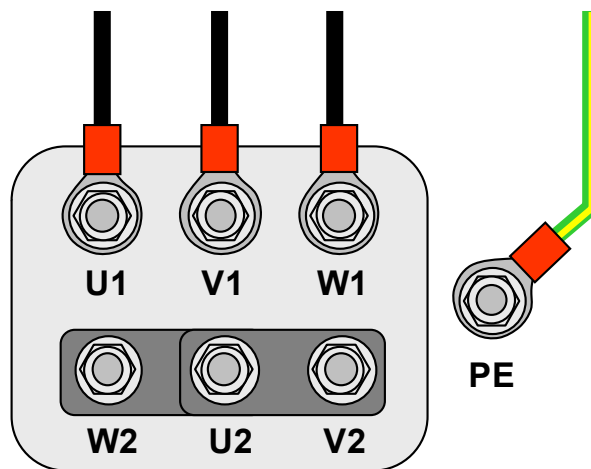
Connecting the motor

1. Check the voltage of the available power supply network against the data on the motor name plate.
2. Knock out any knock-out openings in the terminal box. While doing this, avoid causing damage to the terminal board, cable connections, etc. inside the terminal box.
3. Connect the motor in star or delta configuration in accordance with the rated voltage (see name plate) and the available power supply network.

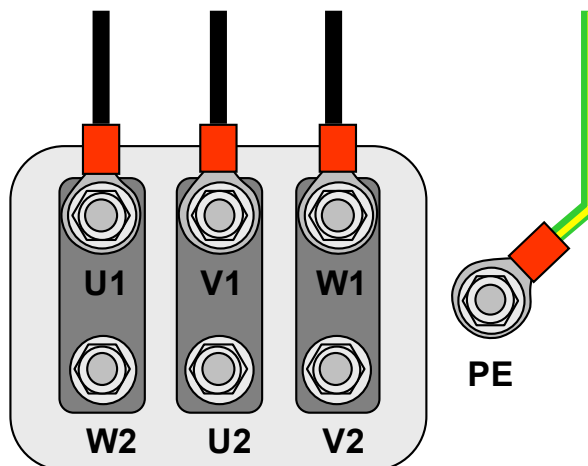


1~, configuration

To connect a single-phase motor to the AC power grid, connect the phase conductor to terminal "L" and neutral to terminal "N".



3~, star configuration




3~, delta configuration

4. Connect the earth conductor (PE).

6 Commissioning/Start-up/Shutdown

6.1 Commissioning/Start-up/Shutdown

	<p>⚠ DANGER Hazardous voltage Danger of death from electric shock!</p> <ul style="list-style-type: none">➤ Have all work performed only by qualified specialist personnel and only when the drive is at a standstill and secured against unintentional start-up. This also applies to auxiliary circuits (e.g. standstill heater).➤ The drive must not be electrically connected at any point in time when work is performed on the open terminal box.
---	---

Before commissioning and whenever returning the product to service, perform the electrical safety checks stipulated by EN 60204-1.

6.1.1 Prerequisites for commissioning/start-up

Before commissioning/starting up the pump set, make sure that the following conditions are met:

- The drive has been mounted and aligned correctly.
- The operating conditions have been verified against the name plate data.
- The earth connection and potential equalisation connections have been made correctly.
- All fastening bolts/screws, connecting elements and electrical connections have been tightened to the specified tightening torques.
- Measures have been taken to prevent accidental contact with moving and live parts.
- Components (cables, etc.) that are sensitive to temperature do not come into contact with the motor housing.
- The pump set has been properly connected to the power supply and is equipped with all protection devices.
- The pump has been primed with the fluid to be handled. The pump has been vented.
- The direction of rotation has been checked.
- All auxiliary connections required are connected and operational.
- After prolonged shutdown of the pump (set), the activities required for returning the pump (set) to service have been carried out. [⇒ Section 6.4, Page 34]

6.1.2 Checking earth conductor connection

Check that the earth conductor has been correctly connected in accordance with EN 60204.

6.1.3 Checking insulation resistance

Prior to commissioning and following prolonged storage or standstill periods, the insulation resistance will need to be checked and verified.



NOTE

If windings have been dried after having been repaired or cleaned, bear in mind that the insulation resistance of warm windings is lower. The insulation resistance can only be correctly evaluated after converting to the reference temperature of 25 °C.

The insulation resistance of the stator winding must equal at least 1.5 megohms in motors for 220 -1000 V.

6.1.4 Filling in lubricants

Grease-lubricated bearings have been packed with grease at the factory.

6.1.5 Priming and venting the pump



⚠ DANGER

Formation of a potentially explosive atmosphere inside the pump

Explosion hazard!

- Before starting up the pump set, vent the pump and suction line and prime both with the fluid to be handled.



CAUTION

Increased wear due to dry running

Damage to the pump set!

- Never operate the pump set without liquid fill.
- Never close the shut-off element in the suction line and/or supply line during pump operation.

1. Vent the pump and suction line and prime both with the fluid to be handled. Connection 6D can be used for venting (see drawing of auxiliary connections). For vertical installation with the motor on top, use connection 5B (if provided) for venting (see drawing of auxiliary connections).
2. Fully open the shut-off element in the suction line.
3. Fully open all auxiliary feed lines (barrier fluid, flushing liquid, etc.), if any.
4. Open the shut-off element, if any, in the vacuum balance line and close the vacuum-tight shut-off element, if any.



⚠ WARNING

Hot water escaping under pressure when the vent plug is opened

Risk of electric shock!

Risk of scalding!

- Protect the electric components against escaping fluid.
- Wear protective clothing (e.g. gloves).



NOTE

For design-inherent reasons some unfilled volume in the hydraulic system cannot be excluded after the pump has been primed for commissioning/start-up. However, once the motor is started up the pumping effect will immediately fill this volume with the fluid handled.

6.1.6 Checking the direction of rotation



⚠ DANGER

Temperature increase resulting from contact between rotating and stationary components

Damage to the pump set!

- Never check the direction of rotation by starting up the unfilled pump set.



⚠ WARNING

Hands inside the pump casing

Risk of injuries, damage to the pump!

- Always disconnect the pump set from the power supply and secure it against unintentional start-up before inserting your hands or other objects into the pump.



⚠ WARNING

Parts flying off

Personal injury and damage to property!

- When checking the direction of rotation with the coupling removed, secure the respective keys to protect them from being thrown off.



CAUTION

Drive and pump running in the wrong direction of rotation

Damage to the pump!

- Refer to the arrow indicating the direction of rotation on the pump.
- Check the direction of rotation. If required, check the electrical connection and correct the direction of rotation.

The correct direction of rotation of the motor and pump is clockwise (seen from the motor end).

1. Start the motor and stop it again immediately to determine the motor's direction of rotation.
2. Check the direction of rotation.
The motor's direction of rotation must match the arrow indicating the direction of rotation on the pump.
3. If the motor is running in the wrong direction of rotation, check the electrical connection of the motor and the control system, if any.

6.1.7 Start-up



⚠ DANGER

Non-compliance with the permissible pressure and temperature limits if the pump is operated with the suction and discharge lines closed.

Leakage of hot or toxic fluids!

- Never operate the pump with the shut-off elements in the suction line and/or discharge line closed.
- Only start up the pump set with the discharge-side gate valve slightly or fully open.



⚠ DANGER

Excessive temperatures due to dry running or excessive gas content in the fluid handled

Damage to the pump set!

- Never operate the pump set without a liquid fill.
- Prime the pump as per operating instructions.
- Always operate the pump within the permissible operating range.



CAUTION

Abnormal noises, vibrations, temperatures or leakage

Damage to the pump!

- Switch off the pump (set) immediately.
- Eliminate the causes before returning the pump set to service.

- ✓ The system piping has been cleaned.
- ✓ Pump, suction line and inlet tank, if fitted, have been vented and primed with the fluid to be handled.
- ✓ The lines for priming and venting have been closed.
 1. Fully open the shut-off element in the suction head line/suction lift line.
 2. Close or slightly open the shut-off element in the discharge line.
 3. Start up the motor.
 4. Immediately after the pump has reached full rotational speed, slowly open the shut-off element in the discharge line and adjust it to comply with the duty point.

6.1.8 Checking the shaft seal

Mechanical seal The mechanical seal only leaks slightly or invisibly (as vapour) during operation. Mechanical seals are maintenance-free.

6.1.9 Shutdown



CAUTION

Heat build-up inside the pump

Damage to the shaft seal!

- Depending on the type of installation, the pump set requires sufficient after-run time – with the heat source switched off – until the fluid handled has cooled down.

- ✓ The shut-off element in the suction line is and remains open.
 1. Close the shut-off element in the discharge line.
 2. Switch off the motor and make sure the pump set runs down smoothly to a standstill.



NOTE

If the discharge line is equipped with a check valve, the shut-off element in the discharge line may remain open, provided the site's requirements and regulations are taken into account and observed.

For prolonged shutdown periods:

1. Close the shut-off element in the suction line.

2. Close the auxiliary connections.
If the fluid handled is fed in under vacuum, also supply the shaft seal with barrier fluid during standstill.



CAUTION

Risk of freezing during prolonged pump shutdown periods

Damage to the pump!

- Drain the pump and the cooling/heating chambers (if any) or otherwise protect them against freezing.

6.2 Operating limits



⚠ DANGER

Non-compliance with operating limits for pressure, temperature and speed

Explosion hazard!

Leakage of hot or toxic fluid handled!

- Comply with the operating data indicated in the data sheet.
- Never use the pump to handle fluids it is not designed for.
- Avoid prolonged operation against a closed shut-off element.
- Never operate the pump at temperatures exceeding those specified in the data sheet or on the name plate unless the written consent of the manufacturer has been obtained.

6.2.1 Ambient temperature



CAUTION

Operation outside the permissible ambient temperature

Damage to the pump (set)!

- Observe the specified limits for permissible ambient temperatures.

Observe the following parameters and values during operation:

Table 7: Permissible ambient temperatures

Permissible ambient temperature	Value
Maximum	40 °C
Minimum	See data sheet.

6.2.2 Frequency of starts



⚠ DANGER

Excessive surface temperatures of the motor

Explosion hazard!

- The limit value for stopping the pump must never exceed the specified surface temperature of the respective temperature class.
- If the specified surface temperature of the respective temperature class is exceeded, immediately switch off the pump set and determine the cause.

The frequency of starts is usually determined by the maximum temperature increase of the motor. This largely depends on the power reserves of the motor in steady-state operation and on the starting conditions (DOL, star-delta, moments of inertia, etc). If the start-ups are evenly spaced over the period indicated, the following limits serve as orientation for start-up with the discharge-side gate valve slightly open:

Table 8: Frequency of starts

Material	Maximum frequency of starts
	[Start-ups/hour]
G (EN-GJL-150)	15
B (G-CuSn10Zn)	6
P (PSu-GF30)	6



CAUTION

Re-starting while motor is still running down

Damage to the pump (set)!

- Do not re-start the pump set before the pump rotor has come to a standstill.

6.2.3 Fluid handled

6.2.3.1 Flow rate

Table 9: Flow rate

Temperature range (t)	Minimum flow rate	Maximum flow rate
-30 to +70 °C	≈ 15 % of $Q_{opt}^{4)}$	See hydraulic characteristic curves
> 70 to +140 °C	≈ 25 % of $Q_{opt}^{4)}$	

The calculation formula below can be used to check if an additional heat build-up could lead to a dangerous temperature increase at the pump surface.

$$T_o = T_f + \Delta \vartheta$$

$$\Delta \vartheta = \frac{g \times H}{c \times \eta} \times (1 - \eta)$$

Table 10: Key

Symbol	Description	Unit
c	Specific heat capacity	J/kg K
g	Gravitational constant	m/s ²
H	Pump discharge head	m
T _f	Fluid temperature	°C
T _o	Temperature at the casing surface	°C
η	Pump efficiency at duty point	-
Δϑ	Temperature difference	K

⁴⁾ Best efficiency point

6.2.3.2 Density of the fluid handled

The pump input power changes in proportion to the density of the fluid handled.



CAUTION

Impermissibly high density of the fluid handled

Motor overload!

- Observe the information on fluid density in the data sheet.
- Make sure the motor has sufficient power reserves.

6.2.3.3 Abrasive fluids

Do not exceed the maximum permissible solids content specified in the data sheet. When the pump handles fluids containing abrasive substances, increased wear of the hydraulic system and shaft seal are to be expected. In this case, reduce the commonly recommended inspection intervals.

6.2.4 Voltages and frequencies

Motor operation off the rated point will cause a rise in motor temperature. A voltage tolerance of $\pm 5\%$ and a frequency tolerance of $\pm 2\%$ are permissible.

Any situation where both the voltage and the frequency tolerance apply simultaneously shall be governed by the provisions of range A as described in EN 60034-1. The motors can be operated continuously in range A. In accordance with EN 60034-1, prolonged operation in range B is not recommended.

6.2.5 Maximum permissible speed

Comply with the rotational speed indicated on the name plate.

6.2.6 Altitude

- ≤ 1000 m above MSL: without power derating
- > 1000 m above MSL: installation at altitudes of up to 4000 m above MSL is possible with power derated by 3.8 % per 500 m.

6.3 Shutdown/storage/preservation

6.3.1 Measures to be taken for shutdown

The pump (set) remains installed

- ✓ Sufficient fluid is supplied for the operation check run of the pump.
- 1. Start up the pump (set) regularly between once a month and once every three months for approximately five minutes during prolonged shutdown periods.
This will prevent the formation of deposits within the pump and the pump intake area.

The pump (set) is removed from the pipe and stored

- ✓ The pump has been properly drained [\Rightarrow Section 7.3, Page 39] and the safety instructions for dismantling the pump have been observed.
- 1. Spray-coat the inside wall of the pump casing and, in particular, the impeller clearance areas with a preservative.
- 2. Spray the preservative through the suction and discharge nozzles.
It is advisable to then close the pump nozzles (e.g. with plastic caps or similar).

3. Oil or grease all exposed machined parts and surfaces of the pump (with silicone-free oil and grease, food-approved if required) to protect them against corrosion.
Observe the additional instructions .

If the pump set is to be stored temporarily, only preserve the wetted components made of low-alloy materials. Commercially available preservatives can be used for this purpose. Observe the manufacturer's instructions for application/removal.

Observe any additional instructions and information provided. [⇒ Section 3, Page 13]

6.4 Returning to service

For returning the pump to service, observe the sections on commissioning/start-up and the operating limits .

In addition, carry out all servicing/maintenance operations before returning the pump (set) to service. [⇒ Section 7, Page 35]



WARNING

Failure to re-install or re-activate protective devices

Risk of personal injury from moving parts or escaping fluid!

- As soon as the work is complete, re-install and/or re-activate any safety-relevant and protective devices.



NOTE

If the pump has been out of service for more than one year, replace all elastomer seals.

7 Servicing/Maintenance

7.1 Safety regulations



⚠ DANGER

Sparks produced during servicing work

Explosion hazard!

- Observe the safety regulations in force at the place of installation!
- Never open an energised pump set.
- Always perform maintenance work on pump sets outside potentially explosive atmospheres only.



⚠ DANGER

Improperly serviced pump set

Explosion hazard!

Damage to the pump set!

- Service the pump set regularly.
- Prepare a maintenance schedule with special emphasis on lubricants, shaft seal and coupling.

The operator ensures that maintenance, inspection and installation is performed by authorised, qualified specialist personnel who are thoroughly familiar with the manual.



⚠ WARNING

Unintentional starting of the pump set

Risk of injury by moving components and shock currents!

- Ensure that the pump set cannot be switched on unintentionally.
- Always make sure the electrical connections are disconnected before carrying out work on the pump set.



⚠ WARNING

Fluids, consumables and supplies which are hot and/or pose a health hazard

Risk of injury!

- Observe all relevant laws.
- When draining the fluid take appropriate measures to protect persons and the environment.
- Decontaminate pumps which handle fluids posing a health hazard.



⚠ WARNING

Insufficient stability

Risk of crushing hands and feet!

- During assembly/dismantling, secure the pump (set)/pump parts to prevent tipping or falling over.

A regular maintenance schedule will help avoid expensive repairs and contribute to trouble-free, reliable operation of the pump, pump set and pump parts with a minimum of servicing/maintenance expenditure and work.



NOTE

All maintenance, service and installation work can be carried out by DP Service or authorised workshops.

Never use force when dismantling and reassembling the pump set.

7.2 Servicing/inspection

7.2.1 Supervision of operation



⚠ DANGER

Rotating or live parts

Death, serious injury or damage to property!

- If covers have to be removed, de-energise the motor beforehand.
- Avoid touching live or rotating parts.



⚠ DANGER

Incorrectly serviced shaft seal

Fire hazard!

Leakage of hot fluids!

Damage to the pump set!

- Regularly service the shaft seal.



⚠ DANGER

Excessive temperatures as a result of bearings running hot or defective bearing seals

Fire hazard!

Damage to the pump set!

- Regularly check the rolling element bearings for running noises.



⚠ DANGER

Hot surface

Risk of burns!

- Never touch a motor when it is in operation.
- Let the motor cool down.
- Only remove covers if indicated.



⚠ WARNING

Condensing air humidity inside the motor if the motor and/or ambient temperatures frequently change

Risk of corrosion by condensation!

- Always observe the information provided on ambient conditions.



CAUTION

Impermissibly high temperature of fluid handled

Damage to the pump!

- Prolonged operation against a closed shut-off element is not permitted (heating up of the fluid).
- Observe the temperature limits in the data sheet and in the section on operating limits.



CAUTION

Increased wear due to dry running

Damage to the pump set!

- Never operate the pump set without liquid fill.
- Never close the shut-off element in the suction line and/or supply line during pump operation.

While the pump is in operation, observe and check the following:

- The pump must run quietly and free from vibrations at all times.
- Check the shaft seal. [⇒ Section 6.1.8, Page 30]
- Check the static sealing elements for leakage.
- Check the rolling element bearings for running noises.
Vibrations, noise and an increase in current input occurring during unchanged operating conditions indicate wear.
- Monitor the correct functioning of any auxiliary connections.
- Monitor the stand-by pump.
To make sure that stand-by pumps are ready for operation, start them up once a week.
- Monitor the bearing temperature.
The bearing temperature must not exceed 90 °C (measured on the motor housing).
- Deviations from normal operation such as increased power consumption, temperatures or vibrations, unusual noises or odours, tripping of monitoring devices, etc.



CAUTION

Operation outside the permissible bearing temperature

Damage to the pump!


- The bearing temperature of the pump (set) must never exceed 90 °C (measured on the outside of the motor housing).



NOTE

After commissioning, increased temperatures may occur at grease-lubricated rolling element bearings due to the running-in process. The final bearing temperature is only reached after a certain period of operation (up to 48 hours depending on the conditions).


7.2.2 Inspection work



⚠ DANGER
Excessive temperatures caused by friction, impact or frictional sparks
Fire hazard!
Damage to the pump set!

- Regularly check the cover plates, plastic components and other guards of rotating parts for deformation and sufficient distance from rotating parts.

7.2.2.1 Cleaning filters



CAUTION
Insufficient inlet pressure due to clogged filter in the suction line
Damage to the pump!

- Monitor contamination of filter with suitable means (e.g. differential pressure gauge).
- Clean filter at appropriate intervals.

7.2.2.2 Checking the motor

Carry out the following measures:

- Check that the electrical connections are firmly seated.
- Verify that ventilation paths are unobstructed and clean.
- Check that the terminal box is closed safely.

7.2.3 Lubrication and lubricant change

7.2.3.1 Maintenance of rolling element bearings

Maintenance for long-term storage

Extended storage periods decrease the service life of the lubricating grease. This in turn reduces the service life of the bearings.


- The rolling element bearings should be completely replaced after a storage period of more than 4 years.

Maintenance for normal operating conditions

Recommended bearing replacement interval under normal operating conditions:

Table 11: Bearing replacement

Ambient temperature	Bearing replacement interval
40 °C	20.000 h



NOTE
The bearing service life is reduced e.g. for vertical installations, high vibration and shock loads, frequent reversing duty, higher ambient temperature and higher rotating speeds.

7.2.3.1.1 Grease lubrication

The bearings are supplied packed with high-quality lithium-soap grease.

7.2.3.1.2 Intervals

The rolling element bearings of the motor are grease-packed and maintenance-free.

7.3 Drainage/cleaning



⚠ WARNING

Fluids, consumables and supplies which are hot and/or pose a health hazard

Hazard to persons and the environment!

- Collect and properly dispose of flushing fluid and any residues of the fluid handled.
- Wear safety clothing and a protective mask, if required.
- Observe all legal regulations on the disposal of fluids posing a health hazard.

1. Use connection 6B to drain the fluid handled (see auxiliary connections).
2. Always flush the pump if it has been used for handling noxious, explosive, hot or other hazardous fluids.
Always flush and clean the pump before transporting it to the workshop. Provide a certificate of decontamination for the pump.

7.4 Dismantling the pump set

7.4.1 General information/Safety regulations



⚠ DANGER

Insufficient preparation of work on the pump (set)

Risk of injury!

- Properly shut down the pump set. [⇒ Section 6.1.9, Page 30]
- Close the shut-off elements in suction and discharge line.
- Drain the pump and release the pump pressure. [⇒ Section 7.3, Page 39]
- Close any auxiliary connections.
- Allow the pump set to cool down to ambient temperature.



⚠ WARNING

Unqualified personnel performing work on the pump (set)

Risk of injury!

- Always have repair and maintenance work performed by specially trained, qualified personnel.



⚠ DANGER

Hot surface

Risk of burns!

- Never touch a motor when it is in operation.
- Let the motor cool down.
- Only remove covers if indicated.



WARNING

Improper lifting/moving of heavy assemblies or components

Personal injury and damage to property!

- Use suitable transport devices, lifting equipment and lifting tackle to move heavy assemblies or components.

Always observe the safety instructions and information.

For dismantling and reassembly observe the exploded views and the general assembly drawing.

In case of damage you can always contact our service staff.

Prior to dismantling, label the respective assignment of fastening elements as well as the arrangement of internal connections for future reassembly.

- Drive**
- Replace any corroded bolts/screws.
 - Never damage the insulation of live parts.
 - Document position of any rating and additional plates or labels to be removed.
 - Avoid damaging the centring spigots.

Protect rolling element bearings against the ingress of contamination and moisture.



NOTE

All maintenance, service and installation work can be carried out by DP Service or authorised workshops.



NOTE

After a prolonged period of operation the individual components may be hard to pull off the shaft. If this is the case, use a brand name penetrating agent and/or - if possible - an appropriate puller.

7.4.2 Preparing the pump set

1. De-energise the pump set and secure it against unintentional start-up.
2. Reduce pressure in the piping by opening a consumer installation.
3. Disconnect and remove all auxiliary pipework.

7.4.3 Dismantling the complete pump set



NOTE

The pump casing can remain installed in the piping for further dismantling.

- ✓ The notes and steps stated [⇒ Section 7.4.1, Page 39] into [⇒ Section 7.4.2, Page 40] have been observed/carried out.
1. Disconnect the discharge and suction nozzles from the piping.
 2. Depending on the pump/motor size, remove the supports from the pump set.
 3. Remove the complete pump set from the piping.

7.4.4 Removing the back pull-out unit



WARNING

Back pull-out unit tipping over

Risk of squashing hands and feet!

- Suspend or support the back pull-out unit at the pump end.

- ✓ The notes and steps stated [⇒ Section 7.4.1, Page 39] into [⇒ Section 7.4.3, Page 40] have been observed/carried out.
 1. If required, suspend or support the back pull-out unit to prevent it from tipping over.
 2. Undo hexagon socket head cap screws 914.42 at the casing cover.
 3. Pull the back pull-out unit out of the volute casing.
 4. Remove and dispose of O-ring 412.50.
 5. Place the back pull-out unit on a clean and level surface.

7.4.5 Removing the impeller

- ✓ The notes and steps stated [⇒ Section 7.4.1, Page 39] into [⇒ Section 7.4.4, Page 41] have been observed/carried out.
- ✓ The back pull-out unit has been placed in a clean and level assembly area.
 1. Undo hexagon socket head cap screw 914.21 (right-hand thread!). Take safety device 930 and washer 554.03 off the impeller hub.
 2. Remove impeller 230 with an impeller removal tool.
 3. Place impeller 230 on a clean and level surface.
 4. Take key 940.01 out of the shaft of motor 800.

7.4.6 Removing the mechanical seal

- ✓ The notes and steps stated [⇒ Section 7.4.1, Page 39] into [⇒ Section 7.4.5, Page 41] have been observed/carried out.
- ✓ The back pull-out unit has been placed in a clean and level assembly area.
 1. Prise circlip 932 out of the groove with a screwdriver and pull it off the shaft of motor 800.
 2. Remove the rotating assembly of mechanical seal 433 (primary ring) from the shaft of motor 800.
 3. Prise the stationary assembly of mechanical seal 433 (mating ring) out of cap 580 with a screwdriver, taking care not to damage the mating ring!

7.5 Reassembling the pump set

7.5.1 General information/Safety regulations



WARNING

Improper lifting/moving of heavy assemblies or components

Personal injury and damage to property!

- Use suitable transport devices, lifting equipment and lifting tackle to move heavy assemblies or components.



CAUTION

Improper reassembly

Damage to the pump!

- Reassemble the pump (set) in accordance with the general rules of sound engineering practice.
- Use original spare parts only.

Sequence Always reassemble the pump in accordance with the corresponding general assembly drawing.

Sealing elements Check O-rings for any damage and replace by new O-rings, if required.

Always use new gaskets. Make sure that new gaskets have the same thickness as the old ones.

Always fit gaskets of asbestos-free materials or graphite without using lubricants (e.g. copper grease, graphite paste).

Assembly adhesives Avoid the use of assembly adhesives, if possible.

Should an assembly adhesive be required after all, use a commercially available contact adhesive (e.g. Pattex) or sealant (e.g. HYLOMAR or Epple 33).

Only apply adhesive at selected points and in thin layers.

Never use quick-setting adhesives (cyanoacrylate adhesives).

Coat the locating surfaces of the individual components with graphite or similar before reassembly.

Tightening torques For reassembly, tighten all screws and bolts as specified in this manual.

7.5.2 Fitting the mechanical seal

Installing the mechanical seal

The following rules must be observed when installing the mechanical seal:

- Work cleanly and accurately.
 - Only remove the protective wrapping of the contact faces immediately before installation takes place.
 - Prevent any damage to the sealing surfaces or O-rings.
 - ✓ The notes and steps stated in [⇒ Section 7.5.1, Page 41] have been observed/carried out.
 - ✓ The bearing assembly as well as the individual parts have been placed in a clean and level assembly area.
 - ✓ All dismantled parts have been cleaned and checked for wear.
 - ✓ Any damaged or worn parts have been replaced by original spare parts.
 - ✓ The sealing surfaces have been cleaned.
1. Clean the mating ring location in cap 580.
 2. Carefully insert the mating ring. Make sure that pressure is applied evenly.
 3. Fit the rotating assembly of mechanical seal 433 (primary ring) on the shaft of motor 800.

7.5.3 Fitting the impeller

- ✓ The notes and steps stated in [⇒ Section 7.5.1, Page 41] to [⇒ Section 7.5.2, Page 42] have been observed/carried out.
 - ✓ The pre-assembled unit (motor, cap, drive lantern, casing cover) as well as the individual parts have been placed in a clean and level assembly area.
 - ✓ All dismantled parts have been cleaned and checked for wear.
 - ✓ Any damaged or worn parts have been replaced by original spare parts.
 - ✓ The sealing surfaces have been cleaned.
1. Slide circlip 932 onto the shaft of motor 800 until it snaps into the groove.
 2. Insert key 940.01 and slide impeller 230 onto the shaft of motor 800.
 3. Fasten hexagon socket head cap screw 914.21 with safety device 930 and washer 554.03. [⇒ Section 7.6, Page 43]

7.5.4 Installing the back pull-out unit



WARNING

Back pull-out unit tipping over

Risk of squashing hands and feet!

- Suspend or support the back pull-out unit at the pump end.

- ✓ The notes and steps stated in [⇒ Section 7.5.1, Page 41] to [⇒ Section 7.5.3, Page 43] have been observed/carried out.
 - ✓ Any damaged or worn parts have been replaced by original spare parts.
 - ✓ The sealing surfaces have been cleaned.
1. Suspend or support the back pull-out unit to prevent it from tipping over.
 2. Fit a new O-ring 412.50 on cap 580.
 3. Insert the back pull-out unit into volute casing 102.
 4. Tighten hexagon socket head cap screws 914.12 on casing cover 161. [⇒ Section 7.6, Page 43]

7.6 Tightening torques

Table 12: Tightening torques for screwed connections at the pump

Part No. ⁵⁾	Thread	Tightening torque
		[Nm]
903.02	$\frac{1}{4}$	55
903.39	$\frac{1}{4}$	55
914.21	M4	2,5
	M5	4
	M6	7
914.42	M6	10
	M8	25

⁵⁾ See general assembly drawing.

7.7 Spare parts stock

7.7.1 Ordering spare parts

Always quote the following data when ordering replacement or spare parts:

- Type series
- Size
- Material variant
- Seal code
- Material number
- Series code

Refer to the name plate for all data.

Also specify the following data:

- Part number and description
- Quantity of spare parts
- Shipping address
- Mode of dispatch (freight, mail, express freight, air freight)

7.7.2 Recommended spare parts stock for 2 years' operation to DIN 24296

Table 13: Quantity of spare parts for recommended spare parts stock

Part No.	Description	Number of pumps (including stand-by pumps)						
		2	3	4	5	6 and 7	8 and 9	10 and more
230	Impeller	1	1	1	2	2	2	20 %
412.50	O-ring	4	6	8	8	9	10	100 %
433	Mechanical seal	1	1	2	2	2	3	25 %
914.21	Hexagon socket head cap screw	1	1	1	2	2	2	20 %
930	Safety device	1	1	1	2	2	2	20 %

8 Trouble-shooting



⚠ WARNING

Improper work to remedy faults

Risk of injury!

- For any work to remedy faults observe the relevant information in this operating manual and/or in the relevant accessory manufacturer's documentation.

If problems occur that are not described in the following table, consultation with the DP customer service is required.

- A Pump delivers insufficient flow rate
- B Motor is overloaded
- C Motor protection switch / thermistor trip device trips the unit
- D Increased bearing temperature
- E Leakage at the pump
- F Excessive leakage at the shaft seal
- G Vibrations during pump operation
- H Impermissible temperature increase in the pump
- I Drive does not start.

Table 14: Trouble-shooting

A	B	C	D	E	F	G	H	I	Possible cause	Remedy ⁹⁾
X	-	-	-	-	-	-	-	-	Pump delivers against an excessively high pressure.	Re-adjust to duty point. Check system for impurities. Fit a larger impeller. ⁹⁾ Increase the speed (frequency inverter).
X	-	-	-	-	-	X	X	-	Pump and/or piping are not completely vented or primed.	Vent or prime.
X	-	-	-	-	-	-	-	-	Supply line or impeller clogged	Remove deposits in the pump and/or piping.
X	-	-	-	-	-	-	-	-	Formation of air pockets in the piping	Alter piping layout. Fit vent valve.
X	-	-	-	-	-	X	X	-	Suction lift is too high/NPSH _{available} (positive suction head) is too low.	Check/alter liquid level (open system). Increase system pressure (closed system). Install pump at a lower level. Fully open the shut-off element in the suction line. Change suction line, if the friction losses in the suction line are too high. Check any strainers installed/suction opening. Observe permissible speed of pressure fall.
X	-	-	-	-	-	-	-	-	Wrong direction of rotation	Check the electrical connection of the motor and the control system, if any.
X	-	-	-	-	-	-	-	-	Speed is too low. - Operation with frequency inverter - Operation without frequency inverter	- Increase voltage/frequency at the frequency inverter in the permissible range. - Check voltage.
X	-	-	-	-	-	X	-	-	Wear of internal components	Replace worn components by new ones.
-	X	-	-	-	-	X	-	-	Pump back pressure is lower than specified in the purchase order.	Re-adjust to duty point. In the case of persistent overloading, turn down impeller. ⁹⁾
-	X	-	-	-	-	-	-	-	Density or viscosity of fluid handled higher than stated in purchase order	Contact KSB.

A	B	C	D	E	F	G	H	I	Possible cause	Remedy ⁶⁾
-	-	-	-	-	X	-	-	-	Use of unsuitable shaft seal materials	Change the material combination. ⁶⁾
-	X	X	-	-	-	-	-	-	Speed is too high.	Reduce speed. ⁶⁾
-	-	-	-	X	-	-	-	-	Tie bolts/sealing element defective	Fit new sealing element between volute casing and casing cover. Re-tighten the bolts.
-	-	-	-	-	X	-	-	-	Worn shaft seal	Fit new shaft seal.
-	-	-	-	-	X	-	-	-	Dismantle to find out.	Correct. Fit new shaft seal, if required.
-	-	-	-	-	X	-	-	-	Vibrations during pump operation	Correct the suction conditions. Re-balance the impeller. Increase pressure at the pump suction nozzle.
-	-	-	X	-	X	X	-	-	Pump is warped or sympathetic vibrations in the piping.	Check the piping connections and secure fixing of pump; if required, reduce distances between the pipe clamps. Fix the pipelines using anti-vibration material.
-	-	-	X	-	-	-	-	-	Increased axial thrust ¹⁾	Clean balancing holes in the impeller.
X	X	-	-	-	-	-	-	-	Motor is running on 2 phases only.	Replace the defective fuse. Check the electric cable connections. Check the motor winding.
-	-	-	-	-	-	X	-	-	Rotor out of balance	Clean the impeller. Re-balance the impeller.
-	-	-	X	-	-	X	X	-	Flow rate is too low.	Increase the minimum flow rate.
-	-	X	-	-	-	-	-	-	Incorrect setting of motor protection switch	Check setting. Fit new motor protection switch.
-	-	-	-	-	-	-	-	X	No voltage	Check mains fuses, mains voltage and operating status of the frequency inverter.
-	-	-	-	-	-	-	-	X	Mains cables connected incorrectly/ Fault in supply line	Check wiring.

⁶⁾ Pump pressure must be released before attempting to remedy faults on parts which are subjected to pressure.

9 Related Documents

9.1 Typical installation positions

Table 15: Horizontal installation

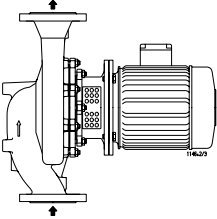
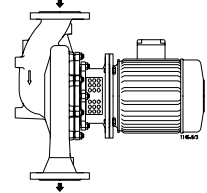
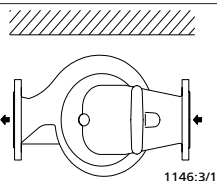
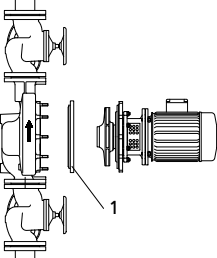
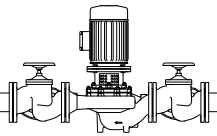
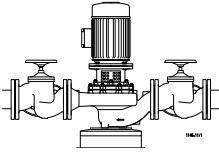
Example drawing	Special features
 <p>Direction of flow from bottom to top</p>	<p>Direction of flow from bottom to top</p>
 <p>Direction of flow from top to bottom</p>	<p>Direction of flow from top to bottom</p> <p>The volute casing and/or back pull-out unit must be turned by 180° so that the terminal box remains in its current position on top.</p>
 <p>Horizontal installation</p>	<p>Horizontal installation (for example under the ceiling)</p> <p>The volute casing and/or back pull-out unit must be turned by 90° so that the terminal box remains in its current position on top.</p>
 <p>Installation with blind flange</p>	<p>1 = Blind flange (accessories)</p> <p>If one of the pumps needs to be serviced, the pump chamber can be shut off by a blind flange so that the system remains operational.</p>

Table 16: Vertical installation

Example drawing	Special features
 <p>Vertical installation without feet</p>	<p>Mounted without feet</p> <p>Installed directly in the piping. Always anchor the pipes in close proximity to the pump in this case.</p>

Example drawing	Special features
 <p data-bbox="389 365 571 409">Vertical installation with pump foot</p>	<p data-bbox="632 208 963 230">Mounted on pump foot (accessory)</p> <p data-bbox="632 244 855 266">Available upon request.</p>

9.2 General drawing with list of components

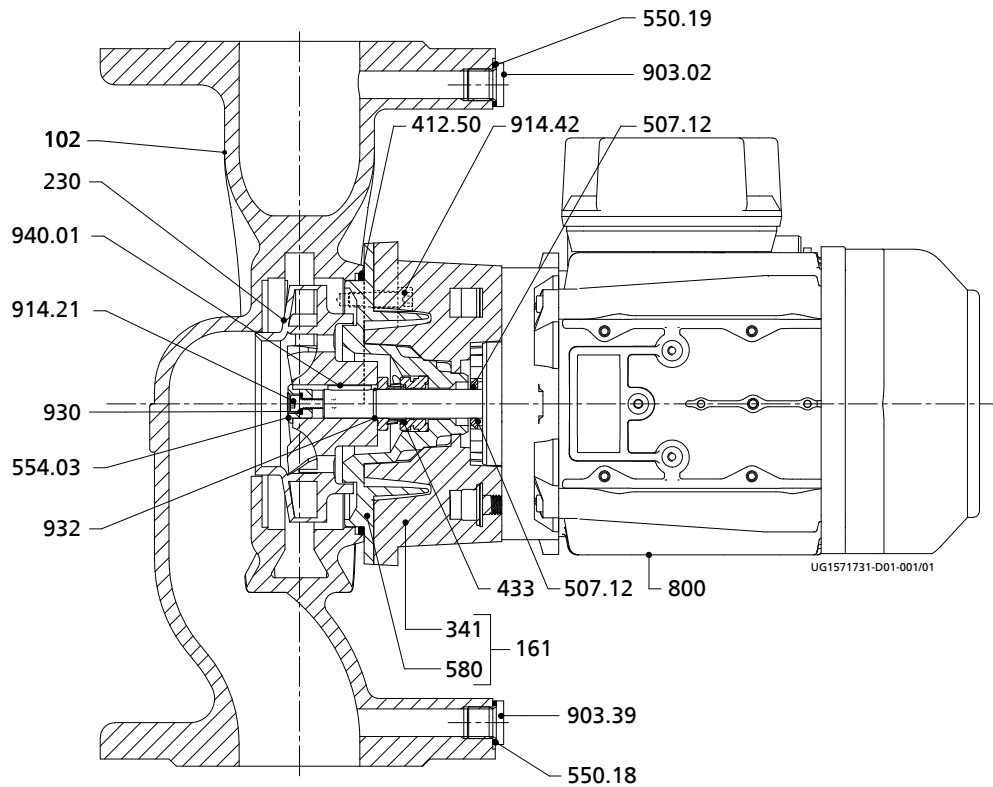


Fig. 7: General assembly drawing

Table 17: List of components

Part No.	Description	Part No.	Description
102	Volute casing	554.03	Washer
161	Casing cover	580	Cap
230	Impeller	800	Motor
341	Drive lantern	903.02/.39	Screw plug
412.50	O-ring	914.21/.42	Hexagon socket head cap screw
433	Mechanical seal	930	Safety device
507.12	Thrower	932	Circlip
550.18/.19	Disc	940.01	Key

Table 18: The following spare parts kits are available:

Spare parts kits	Part No.	Description
Casing	102	Volute casing
	412	O-ring
Impeller	230	Impeller
Shaft seal	433	Mechanical seal
	932	Circlip
Motor	970	Label/plate
	563	Bolt/stud
	900	Screw
	950	Spring
	161	Casing cover
	801	Flanged motor
	433	Mechanical seal
	412	O-ring
507	Thrower	

Spare parts kits	Part No.	Description
	932	Circlip
	940	Key
	554	Washer
	914	Hexagon socket head cap screw
	930	Safety device

10 EU Declaration of Conformity

Manufacturer:

Duijvelaar Pompen
DP Pumps
Kalkovenweg 13
2401 LJ Alphen aan den Rijn (The Netherlands)

The manufacturer herewith declares that **the product**:

Omega SL, Omega DSL (1~, 230 V)

Series code range : 2016w28 to 2017w52

- is in conformity with the provisions of the following Directives as amended from time to time:
 - Pump set: Machinery Directive 2006/42/EC

The manufacturer also declares that

- the following harmonised international standards have been applied:
 - ISO 12100
 - EN 809
 - EN 60034-1, EN 60034-5/A1
 - EN 60335-1/A1, EN 60335-2-41

Person authorised to compile the technical file:

Wil Ouwehand
Technical Director
Duijvelaar Pompen
DP-Pumps
Kalkovenweg 13
2401 LJ Alphen aan den Rijn (The Netherlands)

The EU Declaration of Conformity was issued in/on:

Alphen aan den Rijn, 10 August 2016



Wil Ouwehand
Technical Director
Duijvelaar Pompen
DP Pumps
Kalkovenweg 13
2401 LJ Alphen aan den Rijn (The Netherlands)

11 EU Declaration of Conformity

Manufacturer:

Duijvelaar Pompen
DP Pumps
Kalkovenweg 13
2401 LJ Alphen aan den Rijn (The Netherlands)

The manufacturer herewith declares that **the product**:

Omega SL, Omega DSL (3~, Y Δ 400/230 V)

Series code range : 2016w28 to 2017w52

- is in conformity with the provisions of the following Directives as amended from time to time:
 - Pump set: Machinery Directive 2006/42/EC

The manufacturer also declares that

- the following harmonised international standards have been applied:
 - ISO 12100
 - EN 809
 - ISO 60034-1, ISO 60034-5/A1

Person authorised to compile the technical file:

Wil Ouwehand
Technical Director
Duijvelaar Pompen
DP-Pumps
Kalkovenweg 13
2401 LJ Alphen aan den Rijn (The Netherlands)

The EU Declaration of Conformity was issued in/on:

Alphen aan den Rijn, 10 August 2016



Wil Ouwehand
Technical Director
Duijvelaar Pompen
DP Pumps
Kalkovenweg 13
2401 LJ Alphen aan den Rijn (The Netherlands)

12 EU Declaration of Conformity

Manufacturer:

Duijvelaar Pompen
DP Pumps
Kalkovenweg 13
2401 LJ Alphen aan den Rijn (The Netherlands)

The manufacturer herewith declares that **the product**:

Omega SL, Omega DSL

- is in conformity with the provisions of the following Directives as amended from time to time:
 - Pump (set): Ecodesign Directive 2009/125/EC, Regulation 547/2012
(for water pumps with a maximum shaft power of 150kW)

The EU Declaration of Conformity was issued in/on:

Alphen aan den Rijn, 11 July 2016



Wil Ouwehand
Technical Director
Duijvelaar Pompen
DP Pumps
Kalkovenweg 13
2401 LJ Alphen aan den Rijn (The Netherlands)

Index

A

Abrasive fluids	33
Applications	10
Automation	18
Auxiliary connections	24

B

Bearing temperature	37
Bearings	18

C

Certificate of decontamination	54
Commissioning	27
Configuration	19

D

Design	17
Designation	16
Direction of rotation	29
Dismantling	40
Disposal	14
Drive	18

E

Event of damage	7
Ordering spare parts	44
Explosion protection	25, 31, 35

F

Faults	
Causes and remedies	45
Filter	23, 38
Fluid handled	
Density	32
Frequency of starts	32
Function	19

I

Impeller type	18
Installation at site	21
Intended use	10

M

Maintenance	36
Mechanical seal	30
Misuse	10

N

Name plate	7, 17
Noise characteristics	19

O

Operating limits	31
Other applicable documents	7

P

Partly completed machinery	7
Permissible forces at the pump nozzles	23
Piping	22
Preservation	14, 34
Product description	16
Pump casing	18

R

Reassembly	40, 42
Return to supplier	14
Returning to service	34

S

Safety	9
Safety awareness	11
Scope of supply	20
Shaft seal	18
Shutdown	34
Spare part	
Ordering spare parts	44
Spare parts stock	44
Start-up	30
Storage	14, 34

T

Tightening torques	43
Transport	13

W

Warranty claims	7
-----------------	---

duijvelaar pompen

duijvelaar pompen

Postbus 28

2400 AA Alphen aan den Rijn (The Netherlands)

Tel.: +31 172 48 83 88

Fax: +31 172 46 89 30

dp@dp.nl

www.dp.nl

Belgium

Tel.: +32 800 78 48 0

www.duijvelaar-pompen.be

27/09/2016

BE00000636

(1512.8/01-EN)

